

### Specifications

Models	S-45	
Measurements	US	Metric
Working height maximum*	51 ft	15.72 m
Platform height maximum	45 ft	13.72 m
Horizontal reach maximum	36 ft 8 in	11.18 m
Below ground reach	4 ft 11 in	1.5 m
<b>A</b> Platform length - 8 ft model	3 ft	0.91 m
Platform length - 6 ft model	2 ft 6 in	0.76 m
<b>B</b> Platform width - 8 ft model	8 ft	2.44 m
Platform width - 6 ft model	6 ft	1.83 m
<b>C</b> Height - stowed	8 ft 2 in	2.49 m
- stowed with Trax option	8 ft 2 in	2.49 m
<b>D</b> Length - stowed	27 ft 10 in	8.48 m
- transport (jib tucked under)	22 ft 4 in	6.80 m
<b>E</b> Width - standard tires	7 ft 4 in	2.24 m
- Trax option	7 ft 7 in	2.31 m
<b>F</b> Wheelbase	7 ft 3 in	2.20 m
<b>G</b> Ground clearance - center	1 ft .5 in	0.32 m

### Productivity

Lift capacity	500 lbs	227 kg
Platform rotation	160°	
Vertical jib rotation	135°	
Turntable rotation	360° continuous	
Turntable tailswing	2 ft 10 in	0.86 m
Drive speed - stowed	4.8 mph	7.7 km/h
- raised or extended	0.68 mph	1.1 km/h
- Trax option stowed	2.5 mph	4.02 km/h
- Trax option raised	0.68 mph	1.1 km/h
Gradeability - 2WD - stowed**	30%	
- 4WD - stowed**	40%	
Turning radius - inside	6 ft 8 in	2.0 m
- outside	15 ft 8 in	4.78 m
- Trax option inside	7 ft 4 in	2.24 m
- Trax option outside	17 ft	5.18 m
Controls	12 V DC proportional	
Tires - RT lug	12-16.5 NHS	
	Trax	

### Power

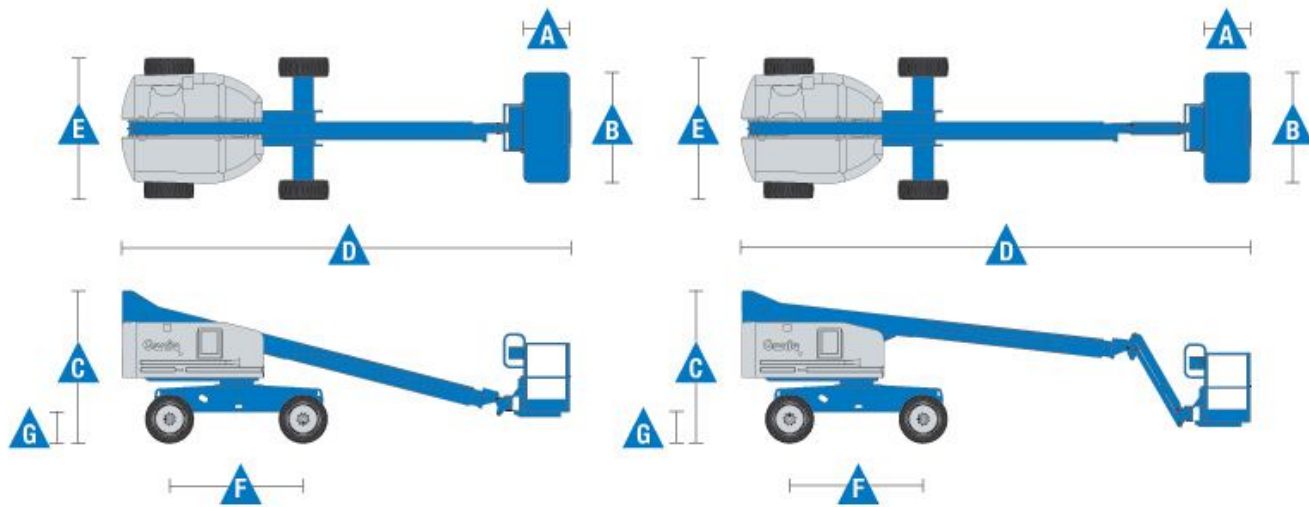
Power source	48 hp (35.79 kW) Deutz diesel T4f D2.9L4 48 hp (35.79 kW) Perkins diesel T4f 404F-22 75 hp (56 kW) Ford gas/LPG MSG425
Auxiliary power unit	12 V DC
Hydraulic tank capacity	45 gal / 170 L
Fuel tank capacity	20 gal / 76 L

### Weight\*\*\*

Standard	15,230 lbs	6,981 kg
Trax	15,620 lbs	7,085 kg

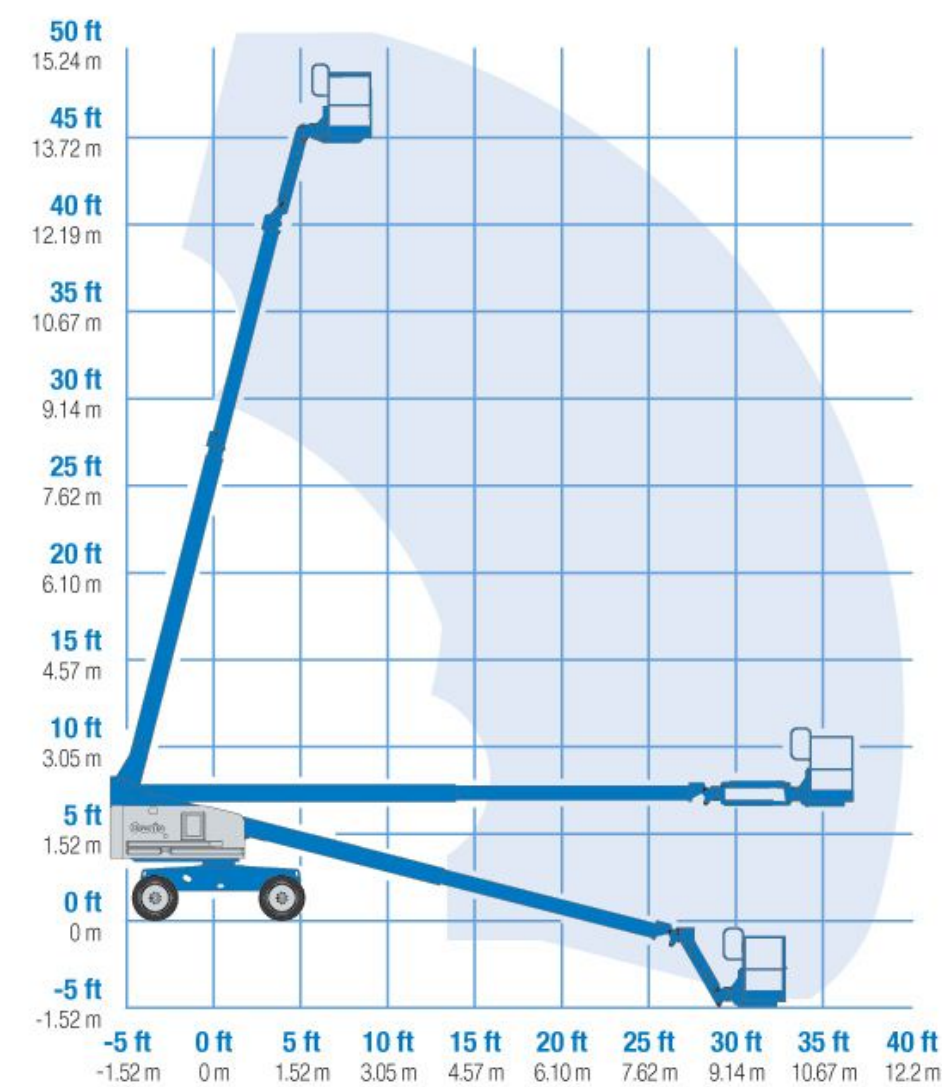
### Standards Compliance

ANSI A92.5, CSA B354.4, EN 280, AS 1418.10



www.genielift.com

### Range Of Motion S-45



\* The metric equivalent of working height adds 2 m to platform height. U.S. adds 6 ft to platform height.  
\*\* Gradeability applies to driving on slopes. See operator's manual for details regarding slope ratings.  
\*\*\* Weight will vary depending on options and/or country standards.